

Performance Compliance Report

Non-Transferable

Aluminium System Distributor

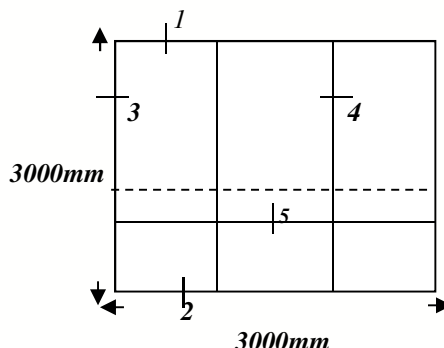
Alsysco
Postnet Suite 174
Private Bag X592
PRETORIA
0127

PCR135
Rev. 1

Method of Glazing

EPDM

Elevation & Dimensions of Test Unit



Glass Types

6mm toughened safety glass

Extrusions used in manufacture

Detail #	Reference #	Description
1 & 2 & 5	AEA/TW/5141T	Transom
3 & 4	AEA/TW/5142M	Mullion
1 & 2 & 5	AEA/TW/17TC	Transom Cover Cap 17mm
3 & 4	AEA/TW/20MC	Mullion Cover Cap 20mm
Throughout	AHGK/9M & AHGK/37T	Mullion & Transom Gaskets
Throughout	AHGK/37PP & AHGK/37MD	Pressure Plate & Modular Gaskets

Test Results

Negative Pressure 2500Pa – deflection 5.99mm
Positive Pressure 2500Pa – deflection 5.30mm
Water Penetration No leakage at 500Pa
Structural Pressure 3750Pa
Air infiltration 0.2 l/s/m²

AAAMSA Standard Achieved

A4

Comment

When manufactured to recommendations stipulated by the system provider, the **Alsystem Thermo Eco Wall PG50** is able to pass performance criteria **A4** as laid down in AAAMSA's General Specification for aluminium and glass products.

Each individual manufacturer must obtain appropriate AAAMSA Performance Test Certificate to confirm his ability to conform to this Performance Compliance Report. D1149

This document is to be read in conjunction with the appropriate technical and assembly documentation supplied by Messrs. Alsysco

Issued: 04 September 2019

EXECUTIVE DIRECTOR

(For inclusion with Form 1 of SANS 10400-A)



Reg.No.1974/000006/08
Association NPC
VAT No. 4900141153

+27(0)11 805-5002
elize@aaamsa.co.za



South African Building
Interior Systems Association



SA Shower Enclosure
Manufacturers Association

